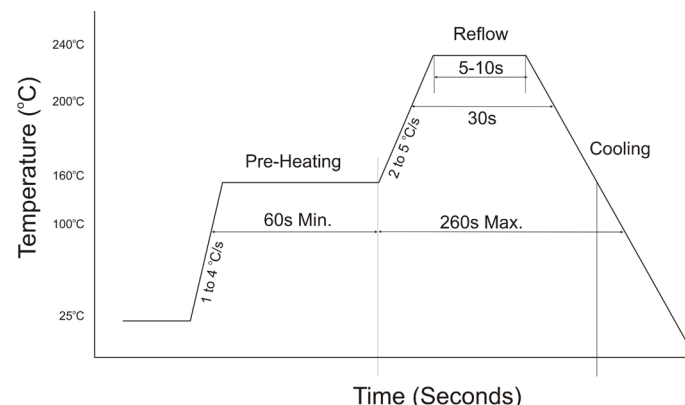


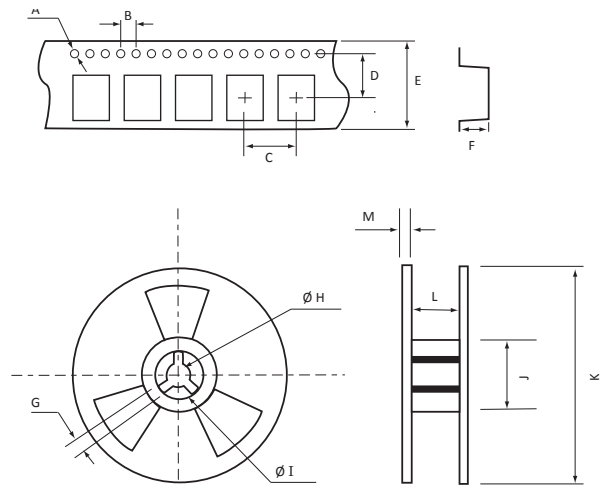
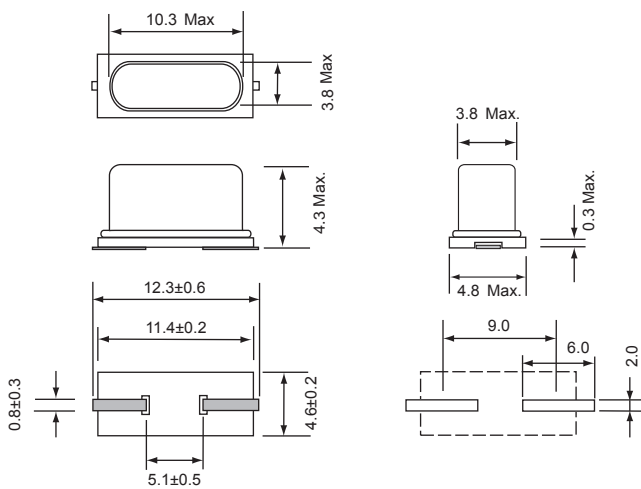
Standard Specifications

Parameter	Symbol	Specification	Remarks
Frequency Range	f_0	3.00 to 100.00 MHz	
Frequency Tolerance	$\Delta f/f$	$\pm 5\text{PPM} \sim \pm 50\text{PPM}$	at 25°C with 100 μW
Frequency Stability	Over OTR	$\pm 50\text{PPM}$ (Standard)	From $\pm 5\text{PPM}$ (depending on OTR)
Operating Temperature Range	T_{OPR}	-10°C to +60°C	See Table
Storage Temperature Range	T_{STG}	-55°C to +125°C	
Load Capacity	C_L	30pF (Std value)	Please specify
Drive-Level	D_L	100.0 μW Typ.	0.5mW Max
Shunt Capacitance	C_0	7.0pF Typ.	
Dynamic Capacitance	C_1	20.0fF Typ.	
Ageing	Fa	$\pm 5.0\text{PPM}$	at 25°C $\pm 3^\circ\text{C}$ 1st Year

Frequency Range	Mode	ESR	Reflow Solder Condition (240°C)
3.00 to 3.49 MHz	Fundamental	300 Ω	
3.50 to 3.79 MHz	Fundamental	150 Ω	
3.80 to 4.09 MHz	Fundamental	120 Ω	
4.10 to 4.99 MHz	Fundamental	100 Ω	
5.00 to 5.99 MHz	Fundamental	80 Ω	
6.00 to 7.99 MHz	Fundamental	70 Ω	
8.00 to 9.99 MHz	Fundamental	60 Ω	
10.00 to 11.99 MHz	Fundamental	50 Ω	
12.00 to 27.99 MHz	Fundamental	40 Ω	
28.00 to 33.49 MHz	Fundamental	50 Ω	
26.00 to 99.99 MHz	3rd Overtone	100 Ω	
20.00 to 40.00 MHz	BT Fundamental	40 Ω	

Dimensions (mm)

1000pcs per Reel



A	B	C	D	E	F	G	H	I	J	K	L
1.5	4.0	12	11.7	24.0	4.40	2.5	13.5	21.0	100	330	24.0