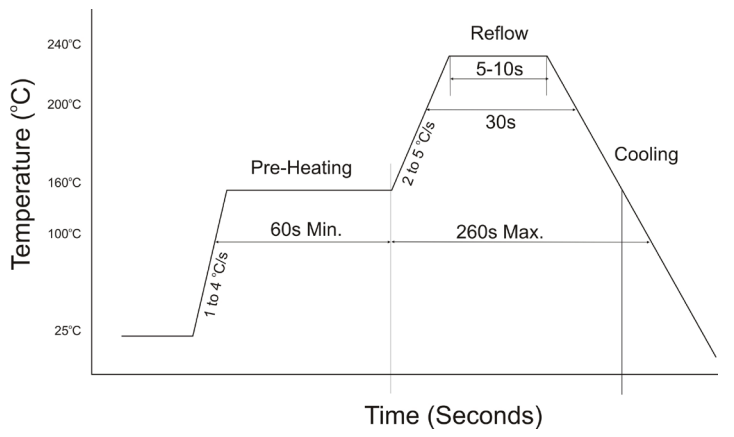
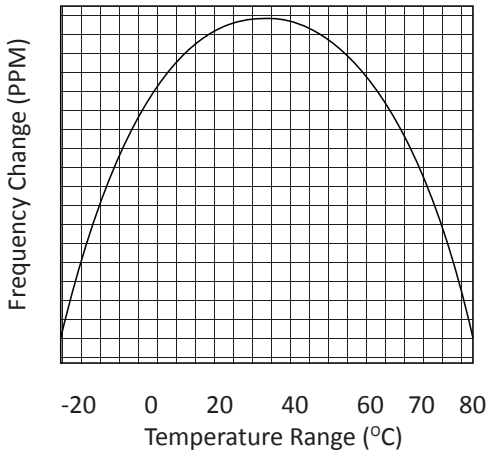


### Standard Specifications

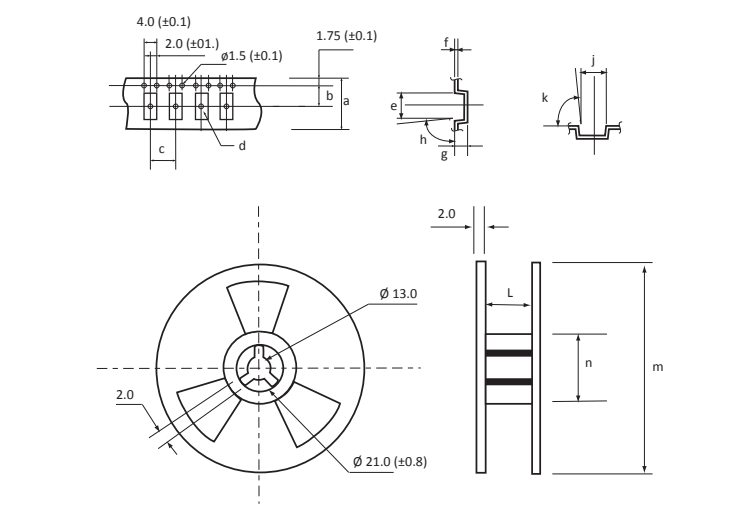
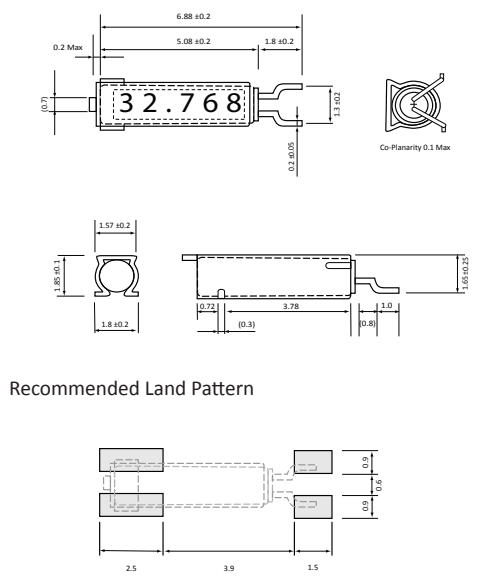
Parameter	Symbol	Specification	Remarks
Frequency Range	$f_0$	32.768 kHz	
Frequency Tolerance	$\Delta f/f$	$\pm 20\text{PPM}$	at 25°C with 100 $\mu\text{W}$
Frequency Stability	Over OTR	$-0.034 \pm 0.006\text{ppm}/^\circ\text{C}^2$	
Operating Temperature Range	$T_{\text{OPR}}$	-40°C to +85°C	
Storage Temperature Range	$T_{\text{STG}}$	-55°C to +125°C	
Load Capacity	$C_L$	12.5pF (Std value)	Please specify
Drive-Level	$D_L$	1.0 $\mu\text{W}$ Typ.	1.0 $\mu\text{W}$ Max
ESR	R	65 k $\Omega$	Max.
Shunt Capacitance	$C_0$	0.8pF	Typical
Ageing	Fa	$\pm 3.0\text{PPM}$	Max. at 25°C $\pm 3^\circ\text{C}$ 1st Year

### X-Cut Temperature Characteristics Reflow Solder Condition (240°C Max.)



High temperature solder exemption - In accordance with RoHS 2002/95/EC Annex 7

### Dimensions (mm) 3000pcs per Reel



a	b	c	d	e	f	h	j	k	l	m	n
16	7.5	8.0	1.0	7.2	1.7	5°	1.7	5°	17.5	300	100