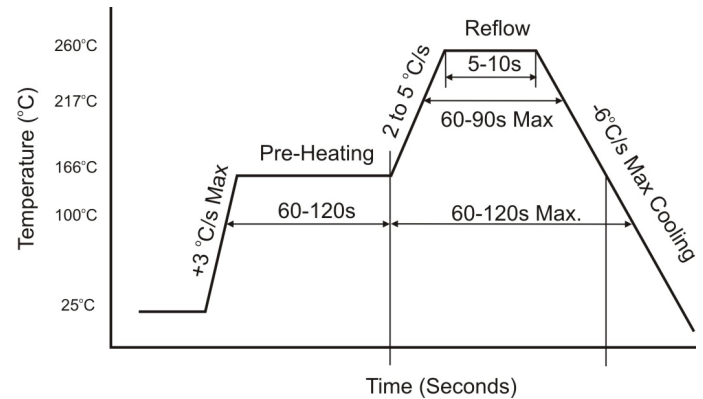


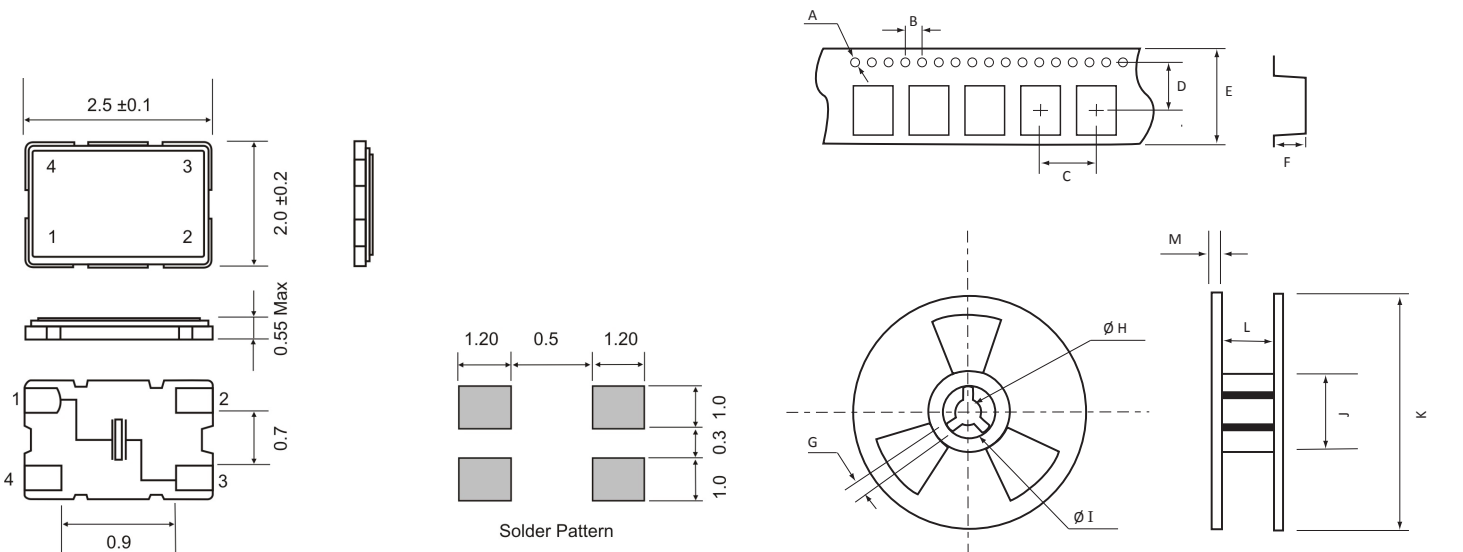
### Standard Specifications

Parameter	Symbol	Specification	Remarks
Frequency Range	$f_0$	16.0 to 60.0 MHz	
Frequency Tolerance	$\Delta f/f$	$\pm 30$ PPM (Std)	at 25°C with 100 $\mu$ W (Higher tolerances are available)
Frequency Stability	Over OTR	$\pm 50$ PPM (Standard)	From $\pm 10$ PPM depending on OTR
Operating Temperature Range	$T_{OPR}$	-10°C to +60°C	-40°C to +85°C also available
Storage Temperature Range	$T_{STG}$	-55°C to +125°C	
Load Capacity	$C_L$	30pF (Std value)	Please specify
Drive-Level	$D_L$	100.0 $\mu$ W Typ.	0.5mW Max
Shunt Capacitance	$C_0$	5.0pF Typ.	
Dynamic Capacitance	$C_1$	20.0fF Typ.	
Ageing	Fa	$\pm 5.0$ PPM	at 25°C $\pm 3$ °C 1st Year

Frequency Range	Mode	ESR	Reflow Solder Condition (260°C)
12.00 to 19.99 MHz	Fundamental	120 $\Omega$	
20.00 to 20.99 MHz	Fundamental	80 $\Omega$	
30.00 to 60.00 MHz	Fundamental	60 $\Omega$	



### Dimensions (mm) 1000pcs per Reel



A	B	C	D	E	F	G	H	I	J	K	L
1.5	4.0	8.0	7.50	8.0	1.2	2.5	13.5	21.0	60.5	178	8.5