

Current part - suitable for new designs

Standard Specifications

Parameter	Symbol	Specification	Remarks
Frequency Range	f_0	3.00 to 100.00 MHz	
Frequency Tolerance	$\Delta f/f$	$\pm 5\text{PPM} \sim \pm 50\text{PPM}$	at 25°C with 100 μ W
Frequency Stability	Over OTR	$\pm 50\text{PPM}$ (Standard)	From $\pm 5\text{PPM}$ (depending on OTR)
Operating Temperature Range	T_{OPR}	-10°C to +60°C	See Table
Storage Temperature Range	T_{STG}	-55°C to +125°C	
Load Capacity	C_L	30pF (Std value)	Please specify
Drive-Level	D_L	100.0 μ W Typ.	0.5mW Max
Shunt Capacitance	C_0	7.0pF Typ.	
Dynamic Capacitance	C_1	20.0fF Typ.	
Ageing	Fa	$\pm 5.0\text{PPM}$	at 25°C $\pm 3^\circ\text{C}$ 1st Year

Additional Specifications

Freq Range	Mode	ESR
3.00 to 3.49 MHz	Fundamental	300 Ω
3.50 to 3.79 MHz	Fundamental	150 Ω
3.80 to 4.09 MHz	Fundamental	120 Ω
4.10 to 4.99 MHz	Fundamental	100 Ω
5.00 to 5.99 MHz	Fundamental	80 Ω
6.00 to 7.99 MHz	Fundamental	70 Ω
8.00 to 9.99 MHz	Fundamental	60 Ω
10.00 to 11.99 MHz	Fundamental	50 Ω
12.00 to 27.99 MHz	Fundamental	40 Ω
28.00 to 33.49 MHz	Fundamental	50 Ω
26.00 to 99.99 MHz	3rd Overtone	100 Ω
20.00 to 40.00 MHz	BT Fundamental	40 Ω

Temperature Stability Options

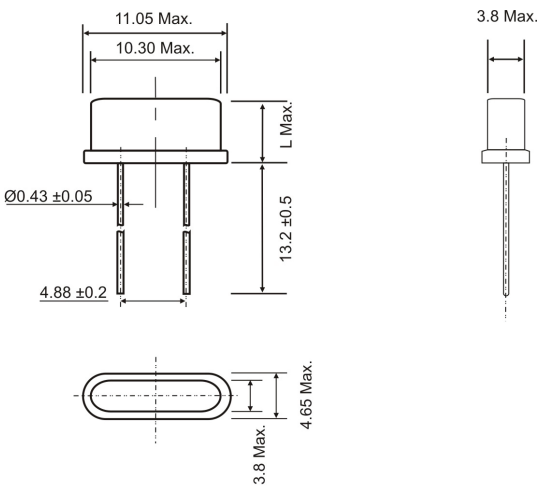
OTR	Temperature Stability (PPM)				
	± 5	± 10	± 15	± 20	± 50
0°C to +50°C	<input type="checkbox"/>	<input type="checkbox"/>	<input type="checkbox"/>	<input type="checkbox"/>	<input type="checkbox"/>
-10°C to +60°C		<input type="checkbox"/>	<input type="checkbox"/>	<input checked="" type="checkbox"/>	<input type="checkbox"/>
-20°C to +70°C			<input type="checkbox"/>	<input type="checkbox"/>	<input checked="" type="checkbox"/>
-30°C to +80°C			<input type="checkbox"/>	<input type="checkbox"/>	<input type="checkbox"/>
-40°C to +85°C					<input type="checkbox"/>

= Available

= Recommended

BT - Cut will exhibit parabolic Freq/Temp curve with $\pm 100\text{PPM}$ -10°C to +60°C

Dimensions (mm)



Holder Style	L
HC-49/S(3.5)	3.5mm
HC-49/S(2.7)	2.7mm

AT-Cut Temperature Characteristics

Typical AT-Cut Frequency/Temperature Curves

