

Standard Specifications

Parameter	Symbol	Specification	Remarks
Frequency Range	f_0	8.00 to 200.00 MHz	
Frequency Tolerance	$\Delta f/f$	$\pm 5\text{PPM} \sim \pm 50\text{PPM}$	at 25°C with 100 μW
Frequency Stability	Over OTR	$\pm 50\text{PPM}$ (Standard)	From $\pm 5\text{PPM}$ (depending on OTR)
Operating Temperature Range	T_{OPR}	-20°C to +70°C	See Table
Storage Temperature Range	T_{STG}	-55°C to +125°C	
Load Capacity	C_L	30pF (Std value)	Please specify
Drive-Level	D_L	100.0 μW Typ.	0.5mW Max
Shunt Capacitance	C_0	7.0pF Typ.	
Dynamic Capacitance	C_1	20.0fF Typ.	
Ageing	Fa	$\pm 5.0\text{PPM}$	at 25°C $\pm 3^\circ\text{C}$ 1st Year

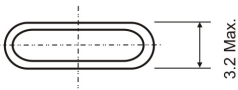
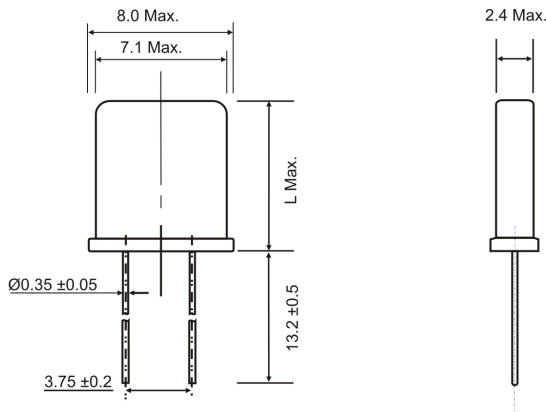
Additional Specifications

Freq Range	Mode	ESR
8.00 to 14.99 MHz	Fundamental	40 Ω
15.00 to 19.99 MHz	Fundamental	35 Ω
20.00 to 29.99 MHz	Fundamental	30 Ω
30.00 to 104.99 MHz	3rd Overtone	45 Ω
60.00 to 149.99 MHz	5th Overtone	100 Ω
150.00 to 200.00 MHz	7th Overtone	150 Ω

Temperature Stability Options					
OTR	Temperature Stability (PPM)				
	± 5	± 10	± 15	± 20	± 30
0°C to +50°C	<input type="checkbox"/>	<input type="checkbox"/>	<input type="checkbox"/>	<input type="checkbox"/>	<input type="checkbox"/>
-10°C to +60°C		<input checked="" type="checkbox"/>	<input type="checkbox"/>	<input type="checkbox"/>	<input type="checkbox"/>
-20°C to +70°C			<input type="checkbox"/>	<input checked="" type="checkbox"/>	<input type="checkbox"/>
-30°C to +80°C			<input type="checkbox"/>	<input type="checkbox"/>	<input checked="" type="checkbox"/>
-40°C to +85°C					<input type="checkbox"/>

= Available = Recommended

Dimensions (mm)



Holder Style	L
UM-1	8.0mm
UM-5	5.8mm

AT-Cut Temperature Characteristics

Typical AT-Cut Frequency/Temperature Curves

