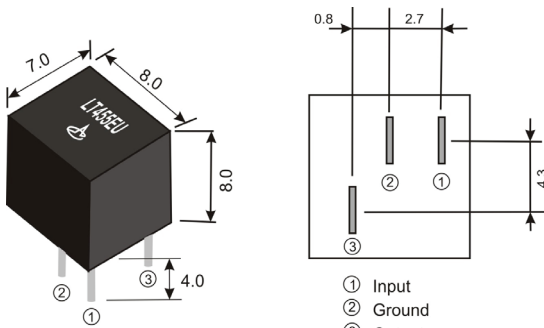


Standard Specifications

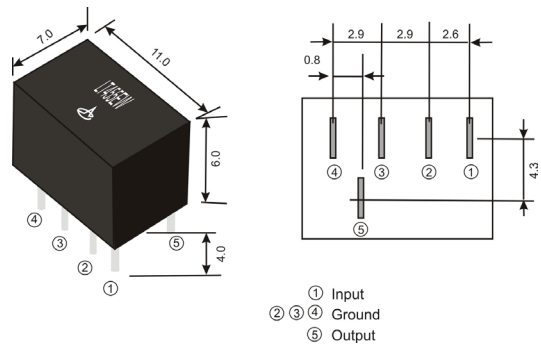
Part Number	Centre Freq.	Insertion Loss (Max.)	Ripple (Max.)	6dB Bandwidth (Min.)	40dB Bandwidth LT455oU (Max.)	50dB Bandwidth LT455oW (Max.)	Spurious Attenuation f0 ±100kHz (Min.)		In/Out Impedance	
							LT455U	LT455W		
LT455AU	LT455AW	455 ±2.0 kHz	4dB	2dB	±17.5kHz	±40kHz	±35kHz	28dB	40dB	1000 Ω
LT455BU	LT455BW	455 ±2.0 kHz	4dB	2dB	±15.0kHz	±30kHz	±30kHz	28dB	40dB	1500 Ω
LT455CU	LT455CW	455 ±2.0 kHz	4dB	2dB	±12.5kHz	±24kHz	±24kHz	28dB	40dB	1501 Ω
LT455DU	LT455DW	455 ±1.5 kHz	4dB	2dB	±10.0kHz	±20kHz	±20kHz	28dB	40dB	1502 Ω
LT455EU	LT455EW	455 ±1.5 kHz	6dB	2dB	±7.5kHz	±15kHz	±15kHz	28dB	40dB	1503 Ω
LT455FU	LT455FW	455 ±1.5 kHz	6dB	2dB	±6.0kHz	±12.5kHz	±12.5kHz	28dB	40dB	2000 Ω
LT455GU	LT455GW	455 ±1.5 kHz	6dB	2dB	±4.5kHz	±10kHz	±10kHz	28dB	40dB	2000 Ω
LT455HU	LT455HW	455 ±1.0 kHz	6dB	2dB	±3.0kHz	±9kHz	±9kHz	28dB	40dB	2000 Ω
LT455IU	LT455IW	455 ±1.0 kHz	6dB	2dB	±2.0kHz	±7.5kHz	±7.5kHz	28dB	40dB	2000 Ω
LT455HTU	LT455HTW	455 ±1.0 kHz	6dB	2dB	±3.0kHz	±9kHz	±9kHz	28dB	40dB	2000 Ω

* 450kHz Centre frequency is also available

Dimensions (mm)

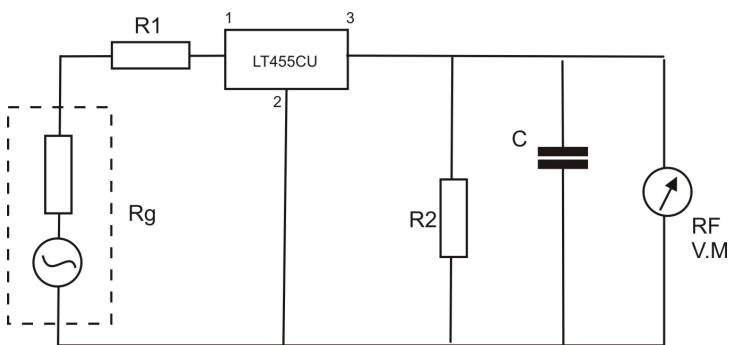


LT455 U



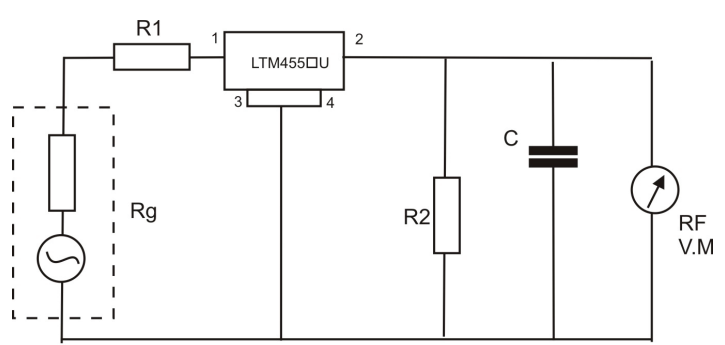
LT455 W

Test Circuit



$R_g + R_1 = R_2$
(Including stray capacitance and input capacitance of RF Voltmeter)

LT455 U



$R_g + R_1 = R_2$
(Including stray capacitance and input capacitance of RF Voltmeter)

LT455 W