

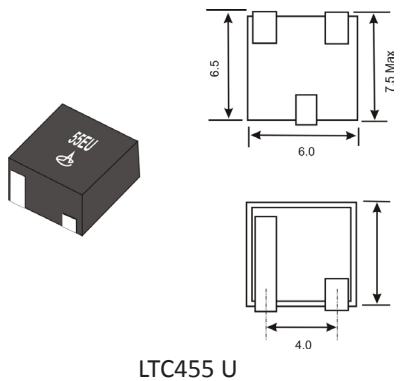
Standard Specifications

| Part Number | | Centre Freq. | Insertion Loss (Max.) | Ripple (Max.) | 6dB Bandwidth (Min.) | 40dB Bandwidth LT455oU (Max.) | 50dB Bandwidth LT455oW (Max.) | Spurious Attenuation f0 ±100kHz (Min.) | | In/Out Impedance |
|-------------|----------|--------------|-----------------------|---------------|----------------------|-------------------------------|-------------------------------|--|--------|------------------|
| | | | | | | | | LT455U | LT455W | |
| LTC455BU | LTC455BW | 455 ±1.5 kHz | 4dB | 2dB | ±15.0kHz | ±30kHz | ±30kHz | 27dB | 50dB | 1000 Ω |
| LTC455CU | LTC455CW | 455 ±1.5 kHz | 4dB | 2dB | ±12.5kHz | ±25kHz | ±25kHz | 27dB | 50dB | 1000 Ω |
| LTC455DU | LTC455DW | 455 ±1.5 kHz | 4dB | 2dB | ±10.0kHz | ±20kHz | ±20kHz | 27dB | 50dB | 1500 Ω |
| LTC455EU | LTC455EW | 455 ±1.5 kHz | 6dB | 2dB | ±7.5kHz | ±15kHz | ±15kHz | 27dB | 50dB | 1500 Ω |
| LTC455FU | LTC455FW | 455 ±1.5 kHz | 6dB | 2dB | ±6.0kHz | ±12kHz | ±12kHz | 27dB | 47dB | 1500 Ω |
| LTC455GU | LTC455GW | 455 ±1.5 kHz | 6dB | 2dB | ±4.5kHz | ±10kHz | ±10kHz | 25dB | 47dB | 1500 Ω |
| LTC455HU | LTC455HW | 455 ±1.5 kHz | 6dB | 2dB | ±3.0kHz | ±9kHz | ±9kHz | 25dB | 47dB | 1500 Ω |
| LTC455IU | LTC455IW | 455 ±1.5 kHz | 6dB | 2dB | ±2.0kHz | ±7.5kHz | ±7.5kHz | 25dB | 47dB | 1500 Ω |

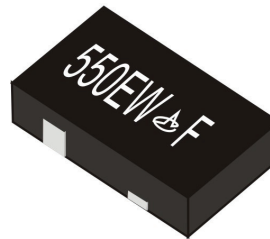
* 450kHz Centre frequency is also available

Dimensions (mm)

1,000pcs/Reel

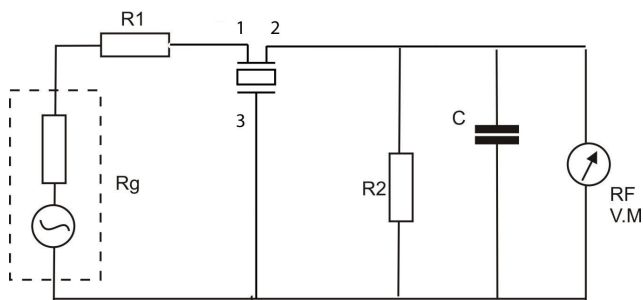


LTC455 U



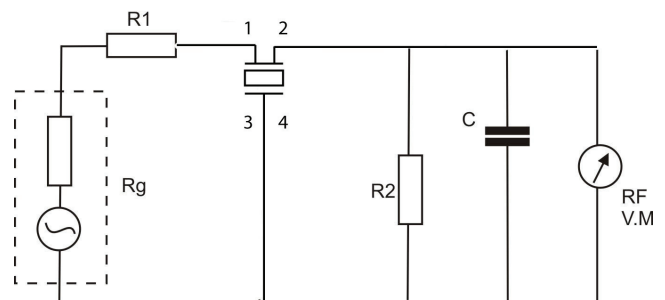
LTC455 W

Test Circuit



$R_g + R_1 = R_2$
(Including stray capacitance and input capacitance of RF Voltmeter)

LTC455 U



$R_g + R_1 = R_2$
(Including stray capacitance and input capacitance of RF Voltmeter)

LTC455 W