

Static sensitive device

Current part - Recommended for new designs

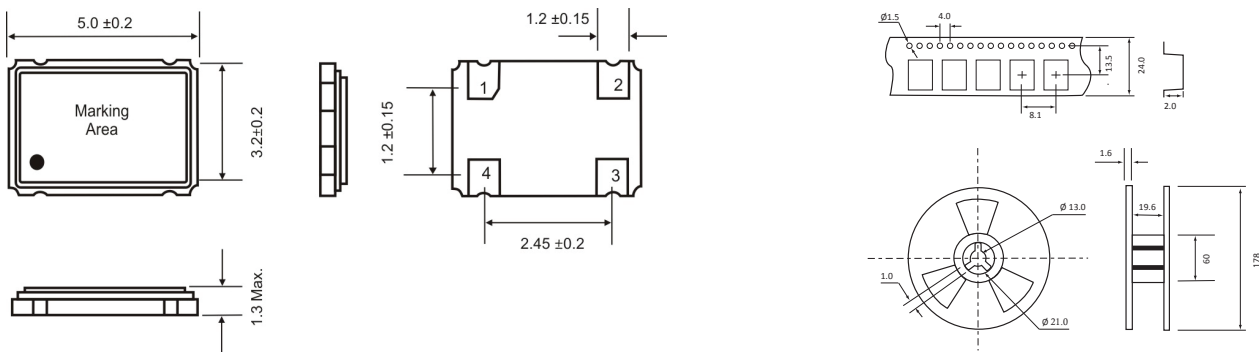
Frequency Stability Options							
Operating Temperature Range		Frequency Stability (PPM)					
Available Temp. Range Options		±15	±20	±25	±30	±50	±100
Standard	-10°C to +70°C	ES	DS	AS	FS	BS	CS
Industrial	-40°C to +85°C	EI	DI	AI	FI	BI	CI

Marking & Specification Code Format						
Type	Voltage Code	Stability	OTR	Symmetry	Frequency	WWYY
601	0/3/2/18	See Above	S or I	N or H	20.000	1611

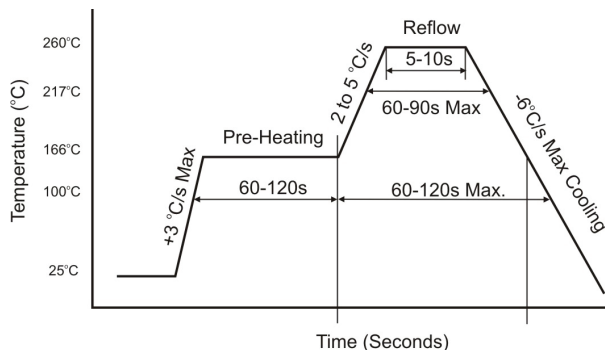
Operating Conditions	
Storage Temp	-55°C to +125°C
Option Codes	
Supply Voltage	Option Code
+5.0V DC	0
+3.3V DC	3
+2.8V DC	2
+1.8V DC	18
Symmetry	(H)igh (N)orm

Electrical Characteristics Ta = +25°C, ^{Note} Inclusive of V _{DD} ±10%, Load Change ±10%, Ageing, Shock & Vibration					
Parameter	Condition	V _{DD} = +5.0V	V _{DD} = +3.3V	V _{DD} = +2.8V	V _{DD} = +1.8V
Input Current	1.00 to 9.999	15mA Max	8mA Max.	7mA Max.	6mA Max.
	10.00 to 34.999	20mA Max.	10mA Max.	8mA Max.	7mA Max.
	35.00 to 49.999	35mA Max.	25mA Max.	20mA Max.	15mA Max.
	50.00 to 133.000	40mA Max.	35mA Max.	30mA Max.	25mA Max.
Frequency Stability	All Conditions (See Note)	See Options Above			
Symmetry	@50% V _{DD} Level	40/60% (45/55% Available)			
Output Voltage	"0" Level	10% V _{DD} Max.			
	"1" Level	90% V _{DD} Min.			
Rise Time	10% to 90% V _{DD}	5nS Max.	8nS Max.	6nS Max.	7nS Max.
Fall Time	90% to 10% V _{DD}	5nS Max.	8nS Max.	6nS Max.	7nS Max.
Start Up Time	0V to V _{DD}	10mS Max.			
Output Load	HCMOS Load	15pF Max.			

Dimensions (mm) **1,000pcs/Reel**



Reflow Solder Profile (260°C) **Pin Connections**



Pad #	Connection
#1	E/D
#2	Ground
#3	Output
#4	V _{CC}

Enable/Disable Function	
Pin 1 Input	Pin 8 Output
Open	Enable O/P
V _{IH} ≥ 2.0V DC	Enable O/P
V _{IH} < 0.8V DC	Disable O/P