

#### Frequency Stability Options

Operating Temperature Range		Frequency Stability (PPM)					
		±15	±20	±25	±30	±50	±100
Standard	-0°C to +70°C	X	X	AS	X	BS	CS
Industrial	-30°C to +85°C	X	X	AI	X	BI	CI

#### Marking & Specification Code Format

Type	Voltage Code	OTR/Stability	Frequency	WWYY
SW601	See right panel	See Above	ie 25.000	1608

#### Operating Conditions

Storage Temp -55°C to +125°C

#### Option Codes

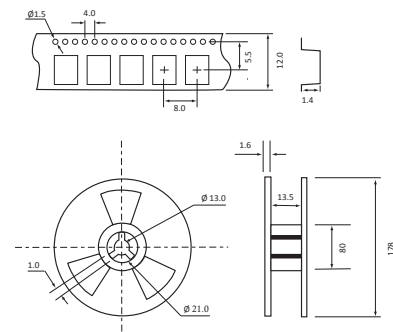
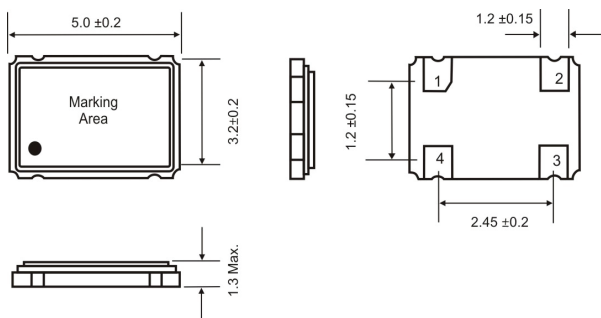
Supply Voltage	Option Code
+5.0V DC	0
+3.3V DC	3
+2.8V DC	28

#### Electrical Characteristics Ta = +25°C, <sup>Note</sup>Inclusive of V<sub>DD</sub> ±10%, Load Change ±10%, Ageing, Shock & Vibration

Parameter	Condition	Value
Input Current	+5.0V DC	1.3mA Max.
	+3.3V DC	1.1mA Max.
	+2.8V DC	1.0mA Max.
Frequency Stability	All Conditions (See Note)	See Options Above
Output Wave Form		True Sinewave
Output Level		1.0V p-p Typical
Output Load		10KΩ // 10pF Load
Harmonics		< -25dBc (Frequency Dependent)
Start Up Time		2ms Typical
Sub-Harmonics		None
Ageing		±5ppm/year Max.
Reflow Solder Condition		260°C 10 seconds Max.

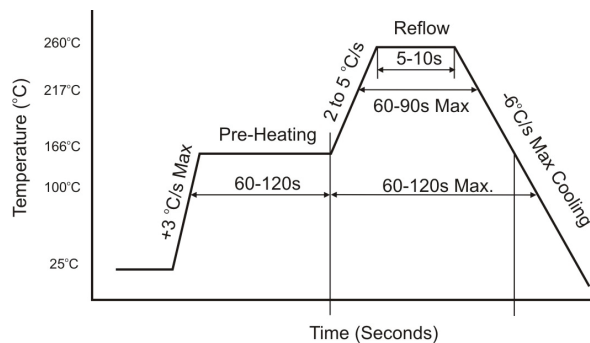
#### Dimensions (mm)

1,000pcs/Reel



#### Reflow Solder Profile (260°C)

#### Pin Connections



Pad #	Connection
#1	E/D
#2	Ground
#3	Output
#4	V <sub>CC</sub>

Enable/Disable Function	
Pin 1 Input	Pin 8 Output
Open	Enable O/P
V <sub>IH</sub> ≥ 2.0V DC	Enable O/P
V <sub>IH</sub> < 0.8V DC	Disable O/P